

FiFo station



Guide rail (p. 15-2)



Adapter (p. 15-3)



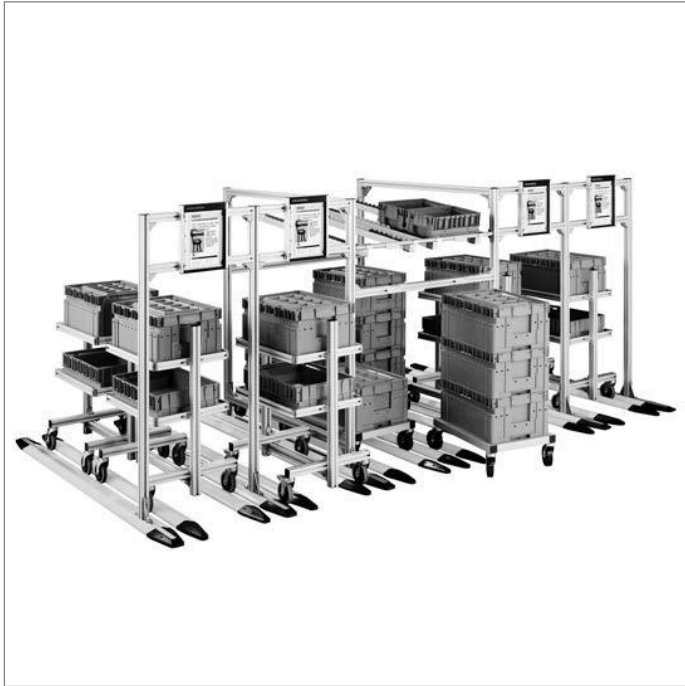
Right end cap, small
(p. 15-3)



Left end cap, small
(p. 15-3)



End cap, large (p. 15-3)

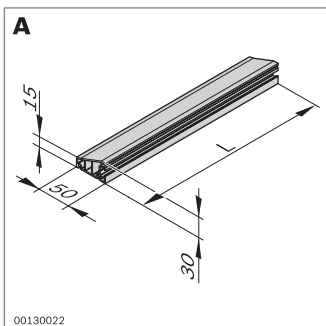


FiFo station

- ▶ Components for constructing a FiFo station for material shuttles
- ▶ Clearly organized and highly transparent production operations through having standardized delivery routes
- ▶ Modular system lets you adapt the layout to your needs and to your available space



36362

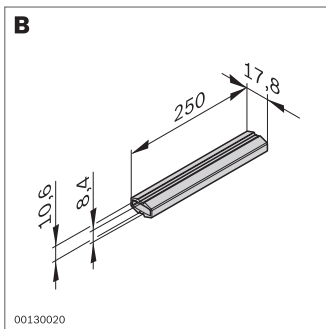


00130022


- ▶ Adhesive strips for fastening to floor
- ▶ Screw fitting to floor possible at end caps

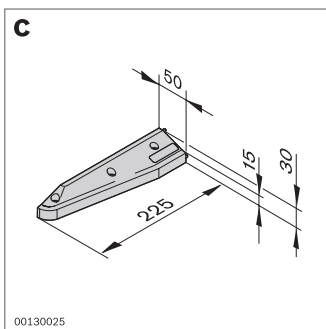
Guide rail	L (mm)		No.
A	1200	10	3 842 540 012
	2400	10	3 842 539 894

Material: PVC, yellow




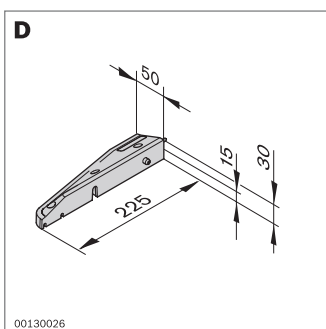
- For the parallel connection of guide rails, or a guide rail with a 30x30 profile

Adapter		No.
B	20	3 842 539 898
Material:	PP	




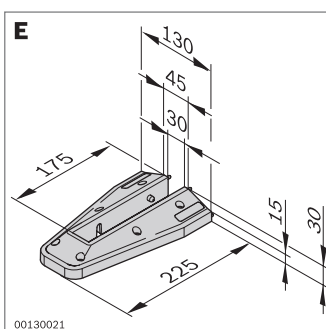
- For use as a jointing aid and for fastening the guide rails to the floor

Right-hand end cap, small		No.
C	10	3 842 539 895
Material:	PA 6; black	



- For use as a jointing aid and for fastening the guide rails to the floor


Left-hand end cap, small		No.
D	10	3 842 539 896
Material:	PA 6; black	



- For installing a 30x30 profile between two guide rails
- The 30 mm profile can be used to construct flow rack systems, information boards, and height limits. Since the guide rails are flat-sided, setup can be done using a wide profile (40, 45, 50)

Required accessories:

- Profile 30x30 (p. 2-16)

End cap, large		No.
E	10	3 842 539 897
Material:	PA 6; black	

